



المتكاملة
integrated



Tower Crane & Construction Hoist



For Enquiries

+965-99831904/66018783

abdu@integrated-me.com

Solutions to your needs...

INDEX

Tower Crane								
Make	Model	Year	Type	Max Cap (t)	Boom Length(m)	Freestanding Height (m)	Tip Load(t)	Units
Terex	CTT182-8	2019	Flat Top	8	65	67.2	2.00	8
Terex	CTT231-12	2019	Flat Top	12	70	57.0	2.10	24
Terex	CTT332-16	2023	Flat Top	16	75	68.7	3.00	8
Terex	CTT472-20	2023	Flat Top	20	80	56.4	4.48	8
Terex	CTL140-10	2021	Luffing Jib	10	50	51.7	1.70	4
Terex	CTL180-16	2023	Luffing Jib	16	55	51.7	2.00	8
Zoomlion	T6513-8F	2019	Flat Top	8	65	46.0	1.30	16
Zoomlion	T7020-12E	2019	Flat Top	12	70	61.1	2.00	32
Zoomlion	WA7527-16KB	2023	Flat Top	16	75	65.7	2.70	8
Zoomlion	WA350-16HA	2023	Flat Top	16	80	65.7	2.20	8

Construction Hoist								
Make	Model	Year	Cage	Max Cap (kg)	Cabient Size (m)	Max Lifting Height (m)	Rated Speed (m/min)	Units
Zoomlion	SC200	2020	Single	2000	3.2x1.5x2.5	150	0-40	8
XMT	SC200	2021	Single	2000	3.2x1.5x2.6	150	0-40	8
Zoomlion	SC200/200BZ	2023	Double	2x2000	3.2x1.5x2.7	500	0-63	8
Zoomlion	SC200/200BG	2023	Double	2x2000	3.2x1.5x2.8	500	0-90	8





Why rent construction equipment?

- **Equipment is reliable and well maintained.**
- **Rental equipment features the latest technology.**
- **Renting means you can work with the right equipment.**
- **No capital investment needed.**
- **Service and maintenance costs are eliminated.**
- **No long-term storage fees are required.**
- **Opportunity to try new models before making buying decision.**
- **No need to account for depreciation**
- **Makes the project schedule easier to manage with on-demand resources**
- **Achieve worry-free compliance**
- **Sharpen Your Competitive Edge**



Tower Crane

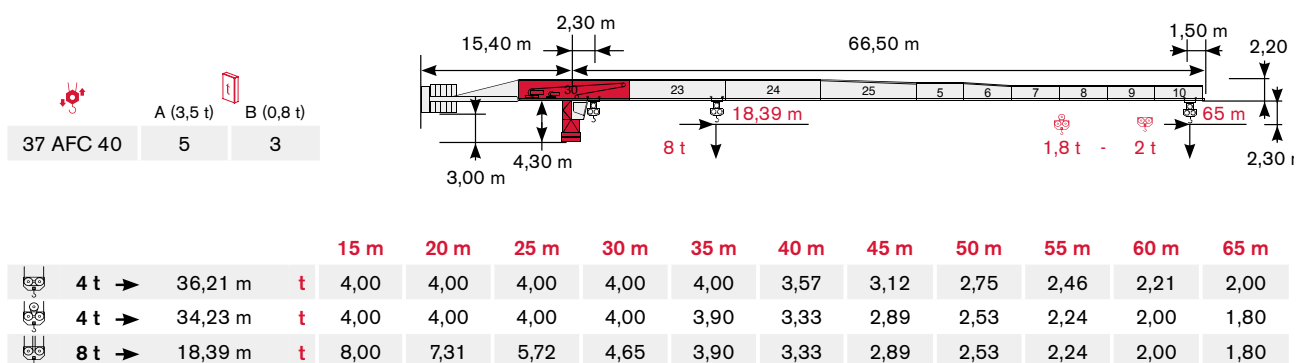
TEREX - CTT182-8



Specifications

- ▶ Flat top tower crane
- ▶ Max jib length : 65.00 m
- ▶ Capacity at max length : 2.00 t
- ▶ Max capacity : 8.00 t

Load Diagram



Year	Type	Max Cap (t)	Boom Length (m)	Freestanding Height (m)	Tip Load	Units
2019	Flat Top	8	65	67.2	2	8



Tower Crane

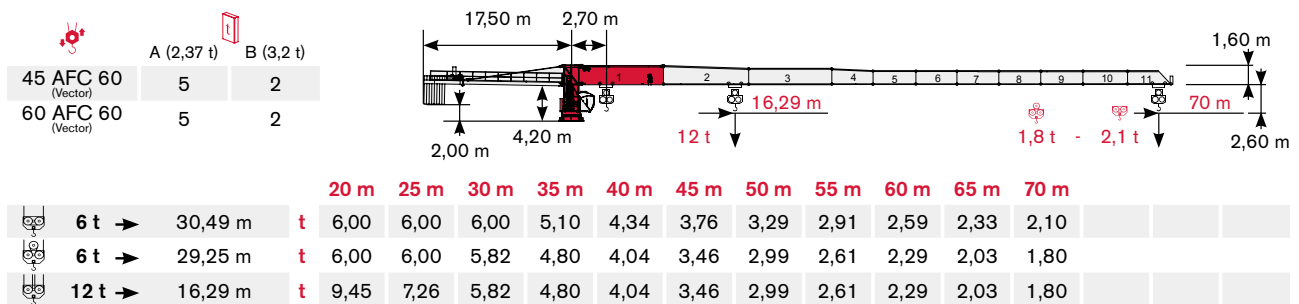
TEREX - CTT231-12



Specifications

- ▶ Flat top tower crane
- ▶ Max jib length : 70.00 m
- ▶ Capacity at max length : 2.10 t
- ▶ Max capacity : 12.00 t

Load Diagram



Year	Type	Max Cap (t)	Boom Length (m)	Freestanding Height (m)	Tip Load	Units
2019	Flat Top	12	70	57	2.1	24



Tower Crane

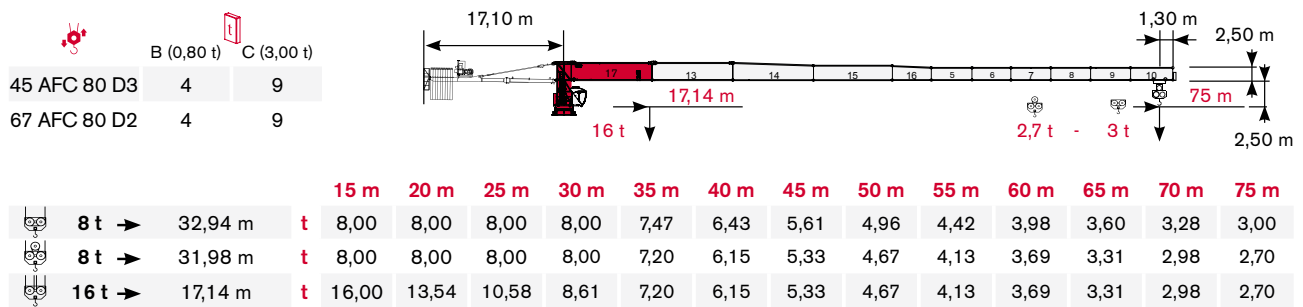
TEREX - CTT332-16



Specifications

- ▶ Flat top tower crane
- ▶ Max jib length : 75.00 m
- ▶ Capacity at max length : 3.00 t
- ▶ Max capacity : 16.00 t

Load Diagram



Year	Type	Max Cap (t)	Boom Length (m)	Freestanding Height (m)	Tip Load	Units
2023	Flat Top	16	75	68.7	3	8



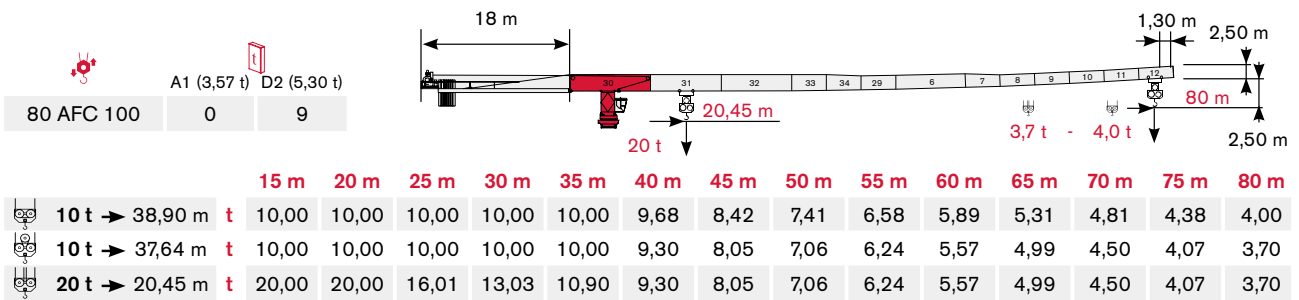
TEREX - CTT472-20



Specifications

- ▶ Flat top tower crane
- ▶ Max jib length : 80.00 m
- ▶ Capacity at max length : 4.00 t
- ▶ Max capacity : 20.00 t

Load Diagram

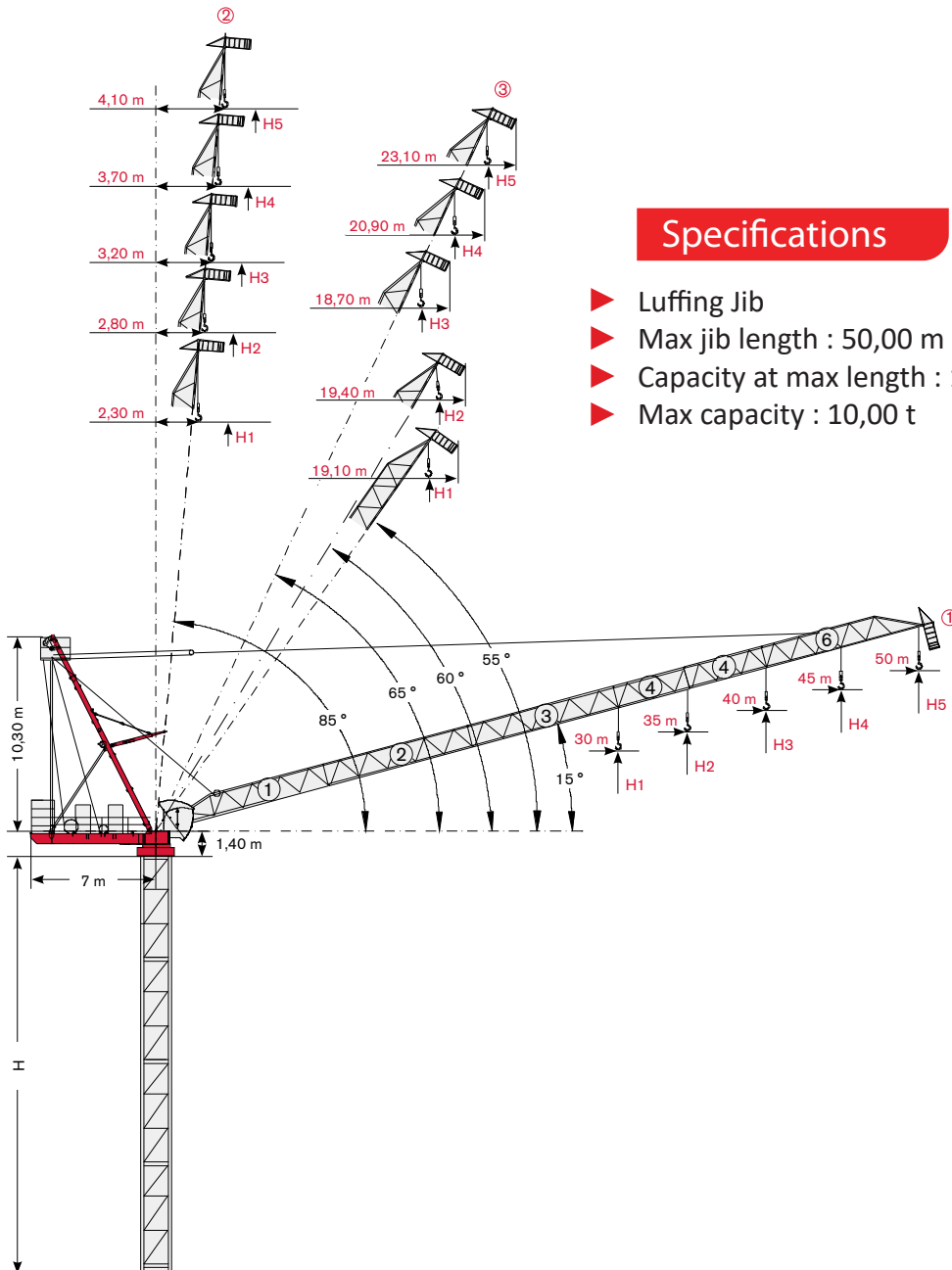


Year	Type	Max Cap (t)	Boom Length (m)	Freestanding Height (m)	Tip Load	Units
2023	Flat Top	20	80	56.4	4.48	8



TEREX - CTL140-10

Load Diagram



Specifications

- ▶ Luffing Jib
- ▶ Max jib length : 50,00 m
- ▶ Capacity at max length : 1,80 t
- ▶ Max capacity : 10,00 t

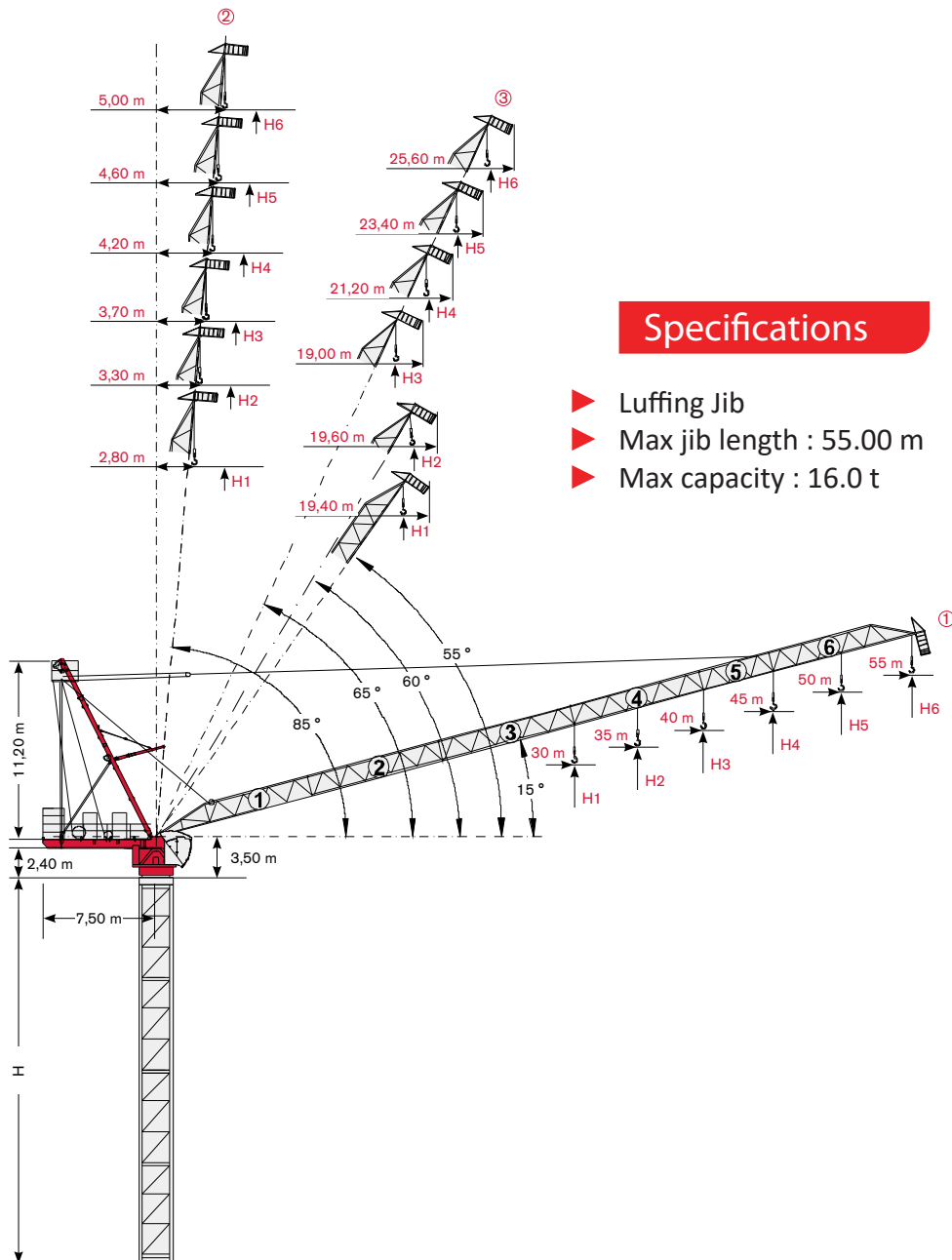
Year	Type	Max Cap (t)	Boom Length (m)	Freestanding Height (m)	Tip Load	Units
2021	Luffing Jib	10	50	51.7	1.7	4



Tower Crane

TEREX - CTL180-16

Load Diagram



Specifications

- ▶ Luffing Jib
- ▶ Max jib length : 55.00 m
- ▶ Max capacity : 16.0 t

Year	Type	Max Cap (t)	Boom Length (m)	Freestanding Height (m)	Tip Load	Units
2023	Luffing Jib	16	55	51.7	2	8



ZOOMLION - T6513-8F



Load Diagram



Specifications

- ▶ Flat top tower crane
- ▶ Max jib length : 65.0 m
- ▶ Max capacity : 8.0 t

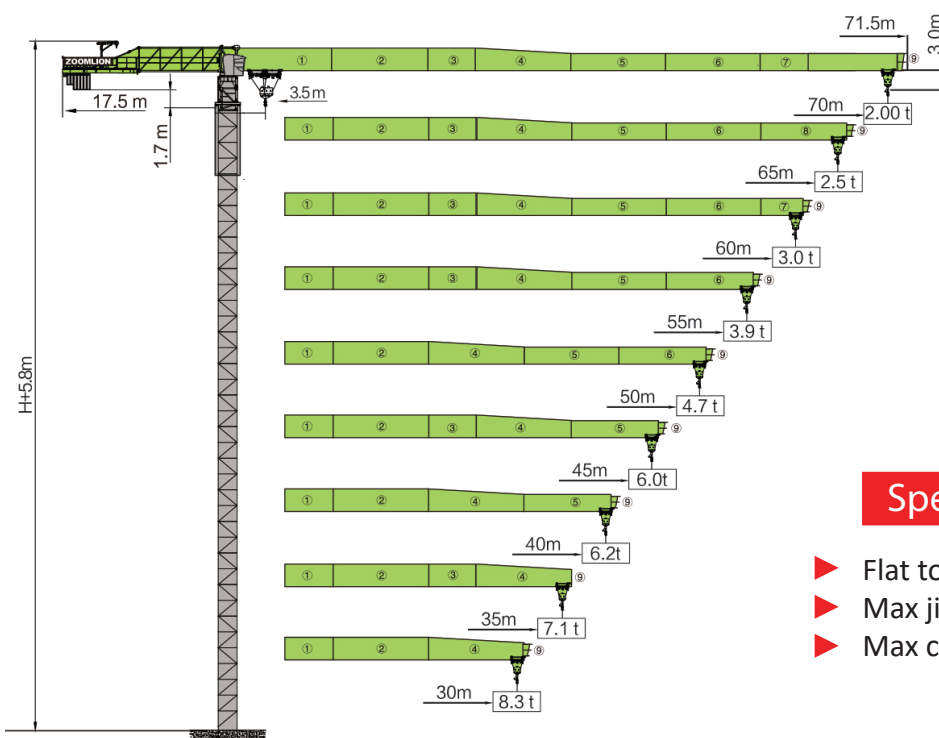
Year	Type	Max Cap (t)	Boom Length (m)	Freestanding Height (m)	Tip Load	Units
2019	Flat Top	8	65	46	1.3	16



ZOOMLION - T7020-12E



Load Diagram



Specifications

- ▶ Flat top tower crane
- ▶ Max jib length : 70.0 m
- ▶ Max capacity : 12.0 t

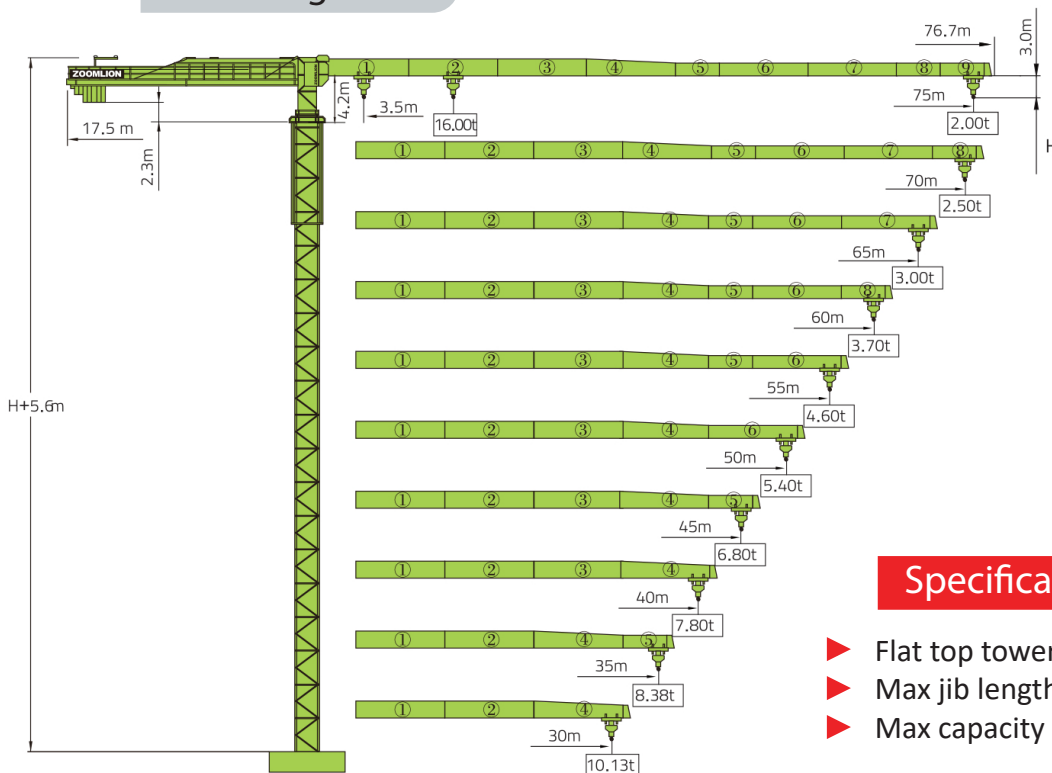
Year	Type	Max Cap (t)	Boom Length (m)	Freestanding Height (m)	Tip Load	Units
2019	Flat Top	12	70	61.1	2	32



ZOOMLION - WA7527-16KB



Load Diagram



Specifications

- ▶ Flat top tower crane
- ▶ Max jib length : 75.0 m
- ▶ Max capacity : 16.0 t

Year	Type	Max Cap (t)	Boom Length (m)	Freestanding Height (m)	Tip Load	Units
2023	Flat Top	16	75	65.7	2.7	8

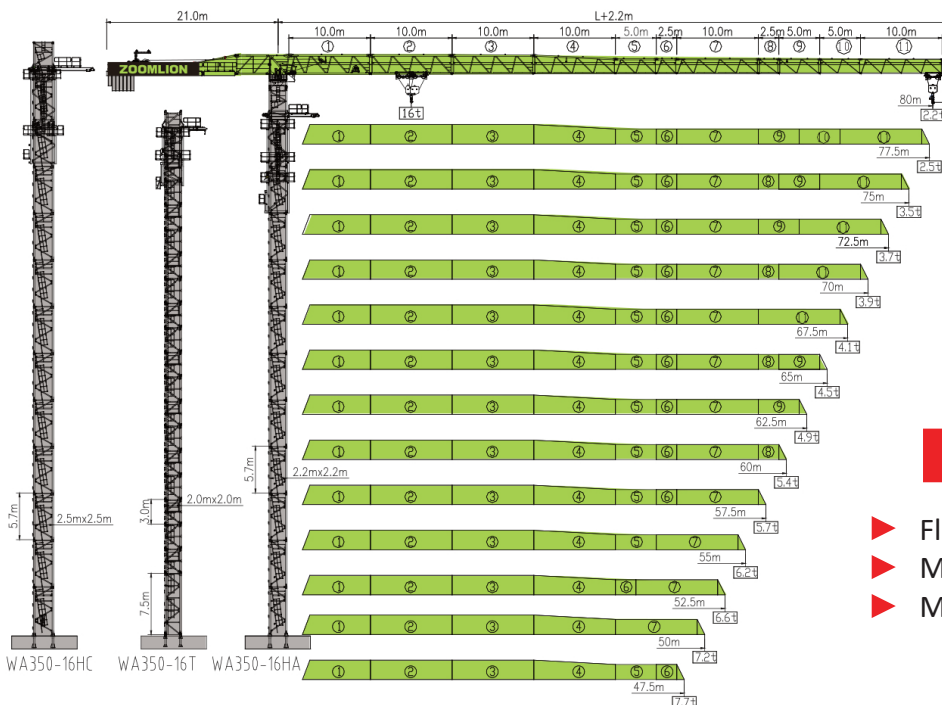


Tower Crane

ZOOMLION - WA350-16HA



Load Diagram



Specifications

- ▶ Flat top tower crane
- ▶ Max jib length : 80.0 m
- ▶ Max capacity : 16.0 t

Year	Type	Max Cap (t)	Boom Length (m)	Freestanding Height (m)	Tip Load	Units
2023	Flat Top	16	80	65.7	2.2	8



007

50-CM 030

50-CM-0...

Construction Hoist

ZOOMLION, XMT - SC200, SC200/200BZ, SC200/200BG

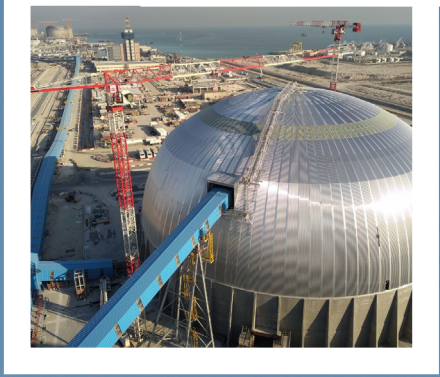
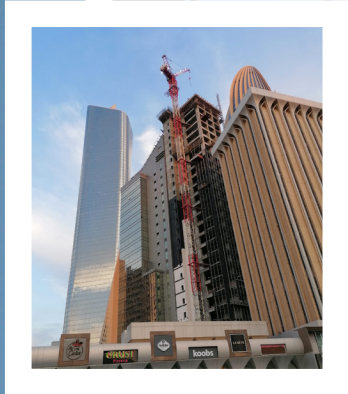
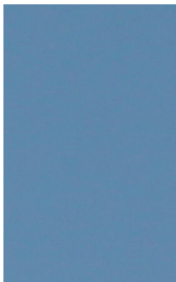


Year	Cage	Max Cap (kg)	Cabient Size (m)	Max Lifting Height (m)	Rated Speed (m/min)	Units
2020	Single	2000	3.2x1.5x2.5	150	0-40	8
2021	Single	2000	3.2x1.5x2.5	150	0-40	8
2021	Double	2x2000	3.2x1.5x2.5	500	0-63	8
2023	Double	2x2000	3.2x1.5x2.5	500	0-90	8



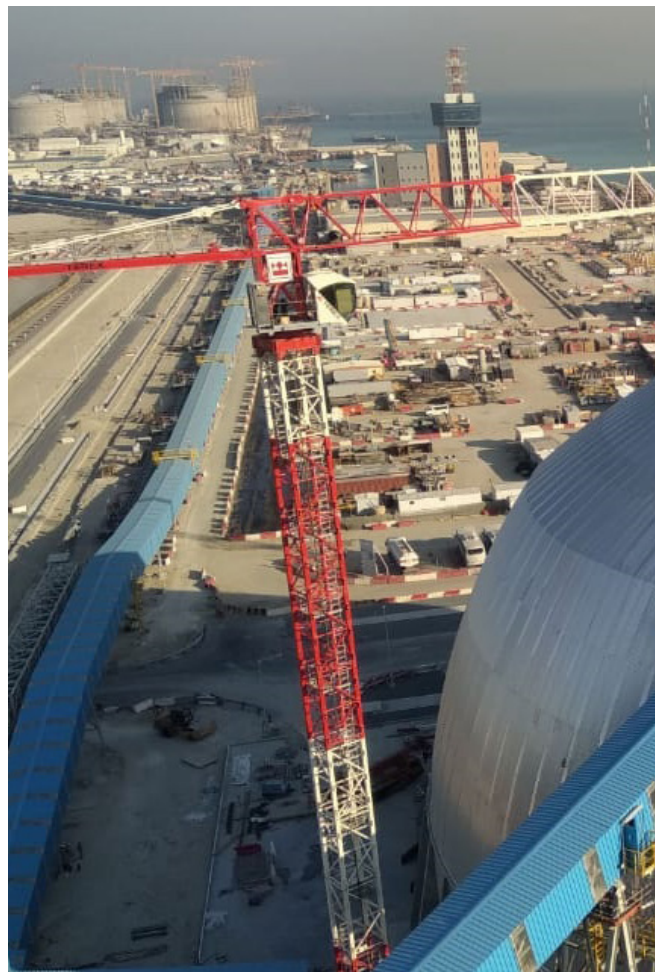
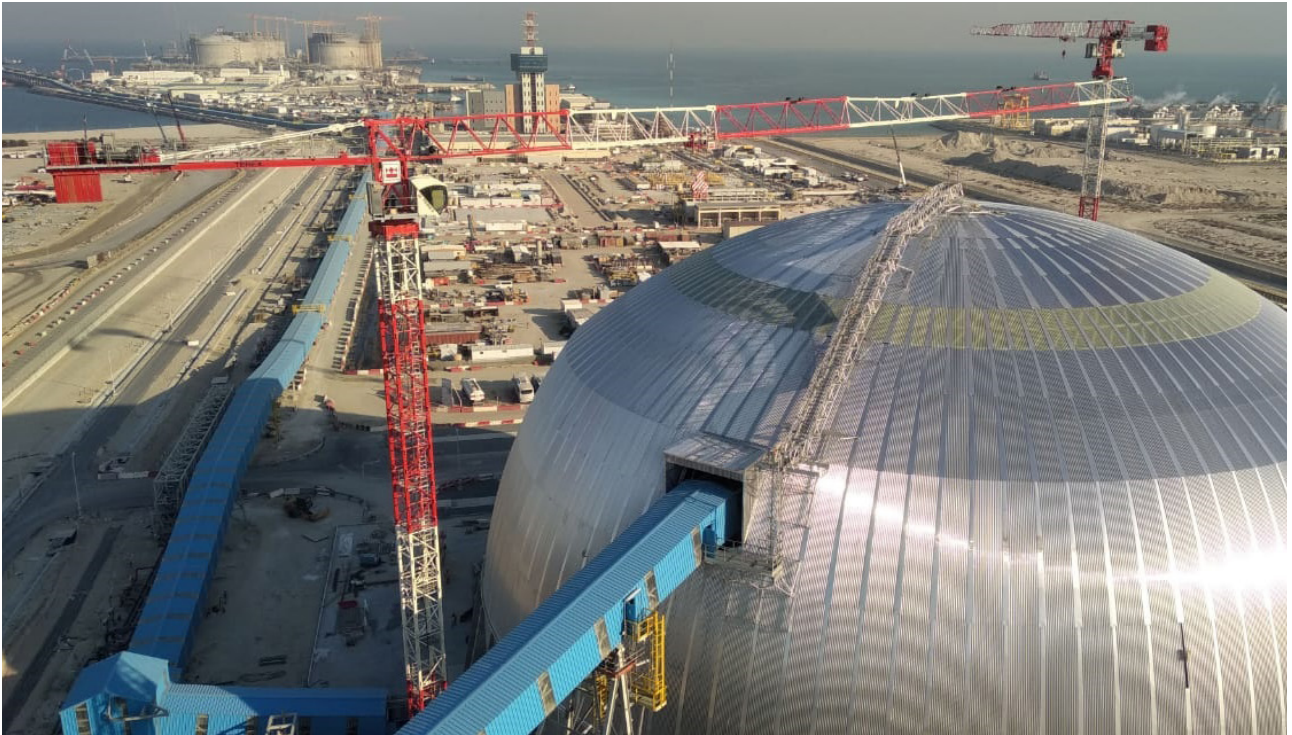
MAJOR PROJECTS





Client : Heisco
Project : Al-Zour (Zor) Refinery Project
Location : Al- Zour, Kuwait
Year : 2019





Client : Kuwait Contractors Co.
Project : Tower Building - (Height - 135 m)
Location : Kuwait city - Sharq
Year : 2021



Major Projects



Client : United Building Co.
Project : Tower Building - (Height - 90 m)
Location : Kuwait city - Sharq
Year : 2020





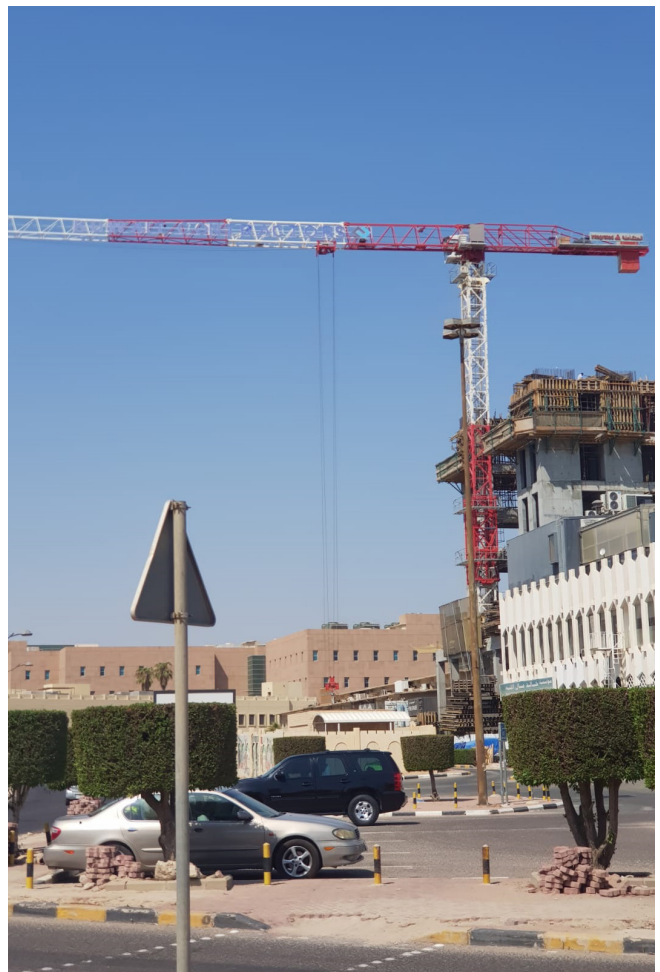
Client : Kuwait Contractors Co.
Project : Tower Building - (Height - 70 m)
Location : Kuwait city - Al Qibla
Year : 2019





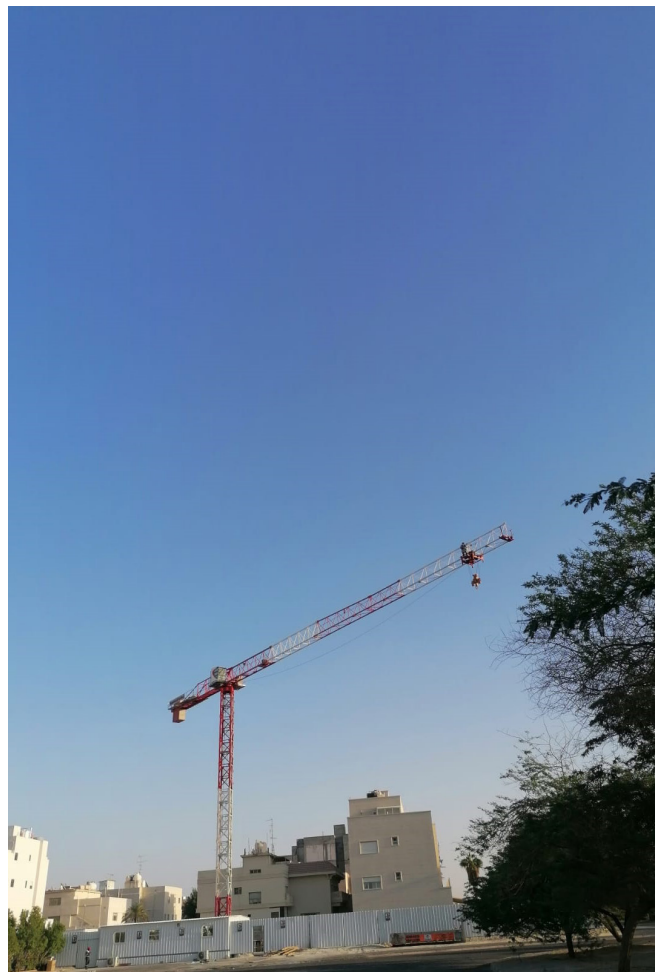
Client : Modern Development Co.
Project : Two Tower Building – (Height - 65 m)
Location : Sabah Al Salem
Year : 2019





Client : Abyat Co.
Project : Factory & Store
Location : Sabhan
Year : 2020





Client : United Building Co.
Project : Sabah Al Ahmed Building
Location : Sabah Al Ahmed
Year : 2018



Major Projects



Client : Structural Engineering Co.
Project : Villa
Location : Abu Al Hasaniya
Year : 2021





Client : United Building Co.
Project : Sabah Al Ahmed Building
Location : Sabah Al Ahmed
Year : 2018



Major Projects



Client : Kuwait Contractors Co.
Project : Tower Building - (Height - 35m)
Location : Kuwait city - Sharq
Year : 2021



Major Projects





For Enquiries

+965-99831904/66018783

abdu@integrated-me.com



المتكاملة
integrated



Solutions to your needs...

Kuwait

P. Box No 750, Dasman-15458, Kuwait
Tel : +965-18 200 18, Fax : +965-2398 5884

Kingdom of Saudi Arabia

P. Box No 165, AL-Khafji -31971, Saudi Arabia
Tel : +966-137 667 826, Fax :+966- 137 667 827

Qatar

P. Box No. 47376. Doha, Qatar
Tel : +974-4437 4145, Fax : +974-4437 5748

Web: www.integrated-me.com Email: info@integrated-me.com